

QUADRAPHONIC RECEIVER

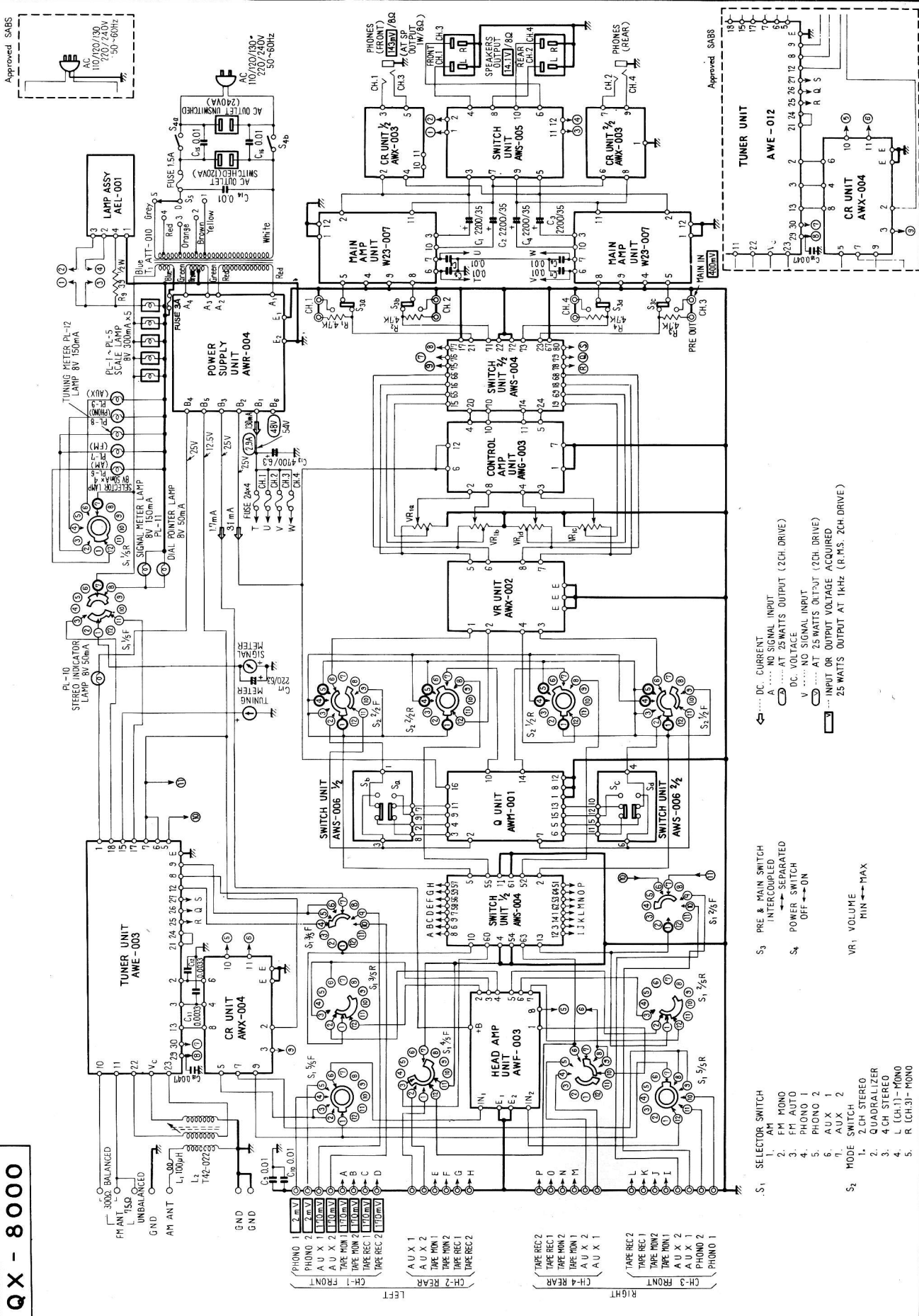
QX-8000

ROUND LABEL UNIT	FW	FSAW				
TUNER UNIT	AWE-003	AWE-012				
FM FRONT END						
CR UNIT	AWX-003	AWX-003				
CR UNIT	AWX-004	AWX-004				
AM TUNER UNIT						
Q UNIT	AWM-001	AWM-001				
HEAD AMP UNIT	AWF-003	AWF-003				
CONTROL AMP UNIT	AWG-003	AWG-003				
MAIN AMP UNIT	W23-007	W23-007				
POWER SUPPLY UNIT	AWR-004	AWR-004				
SWITCH UNIT	AWS-004	AWS-004				
SWITCH UNIT	AWS-005	AWS-005				
SWITCH UNIT	AWS-006	AWS-006				
TONE COLOR UNIT						
VR UNIT	AWX-002	AWX-002				
MIC AMP UNIT						
REVERBE AMP UNIT						
REVERBE UNIT						



QX-8000

QX - 8000



← DC CURRENT
 A NO SIGNAL INPUT
 DC VOLTAGE
 V NO SIGNAL INPUT
 AT 25 WATTS OUTPUT (2CH DRIVE)
 INPUT OR OUTPUT VOLTAGE ACQUIRED
 25 WATTS OUTPUT AT 1KHZ (R.M.S. 2CH DRIVE)

S₃ PRE & MAIN SWITCH
 INTERCOUPLED
 → SEPARATED
 S₄ POWER SWITCH
 OFF ↔ ON

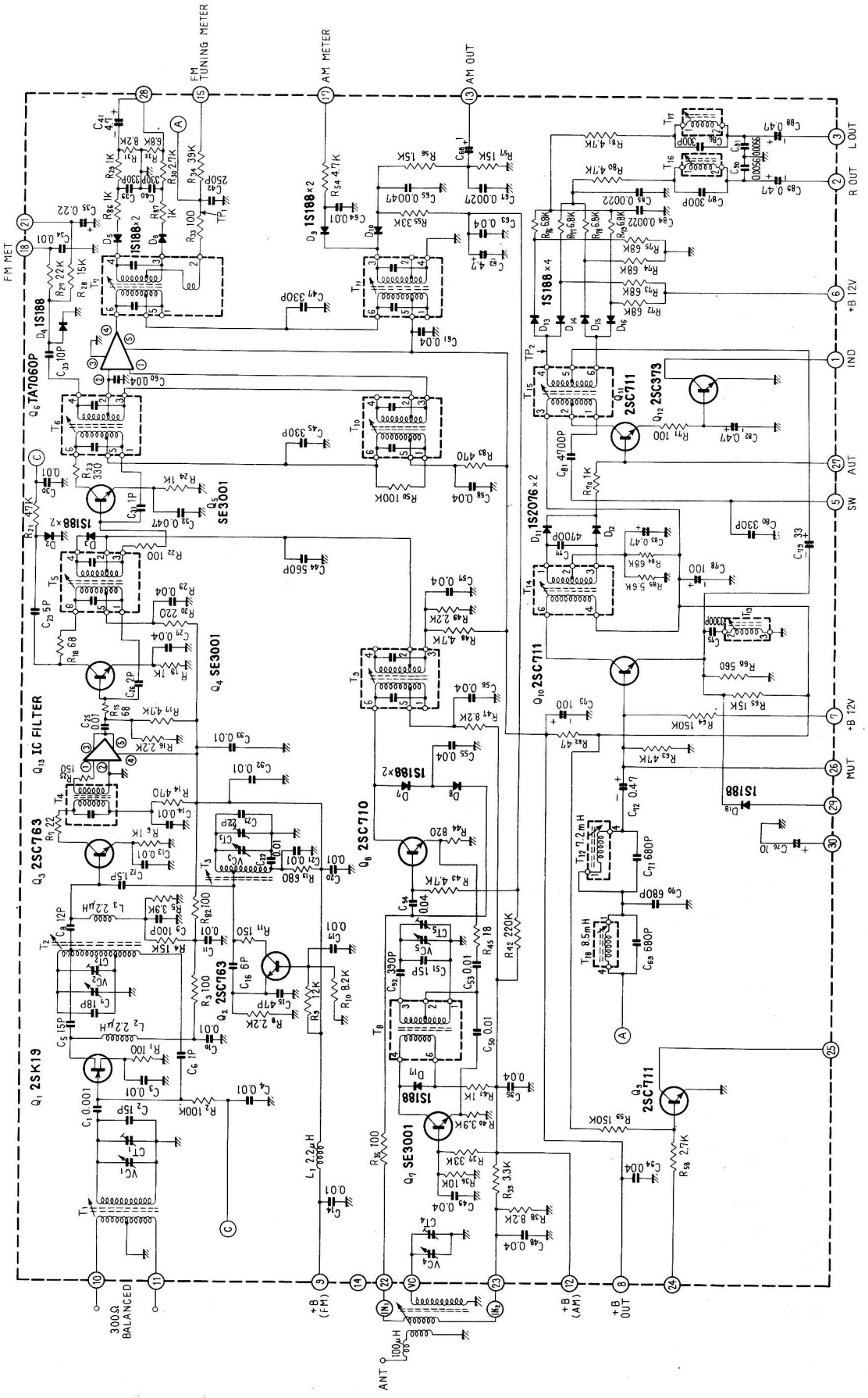
S₁ SELECTOR SWITCH
 1. AM
 2. FM MONO
 3. FM AUTO
 4. PHONO 1
 5. PHONO 2
 6. AUX 1
 7. AUX 2

S₂ MODE SWITCH
 1. 2CH STEREO
 2. QUADRALIZER
 3. 4CH STEREO
 4. L (CH.1) - MONO
 5. R (CH.3) - MONO

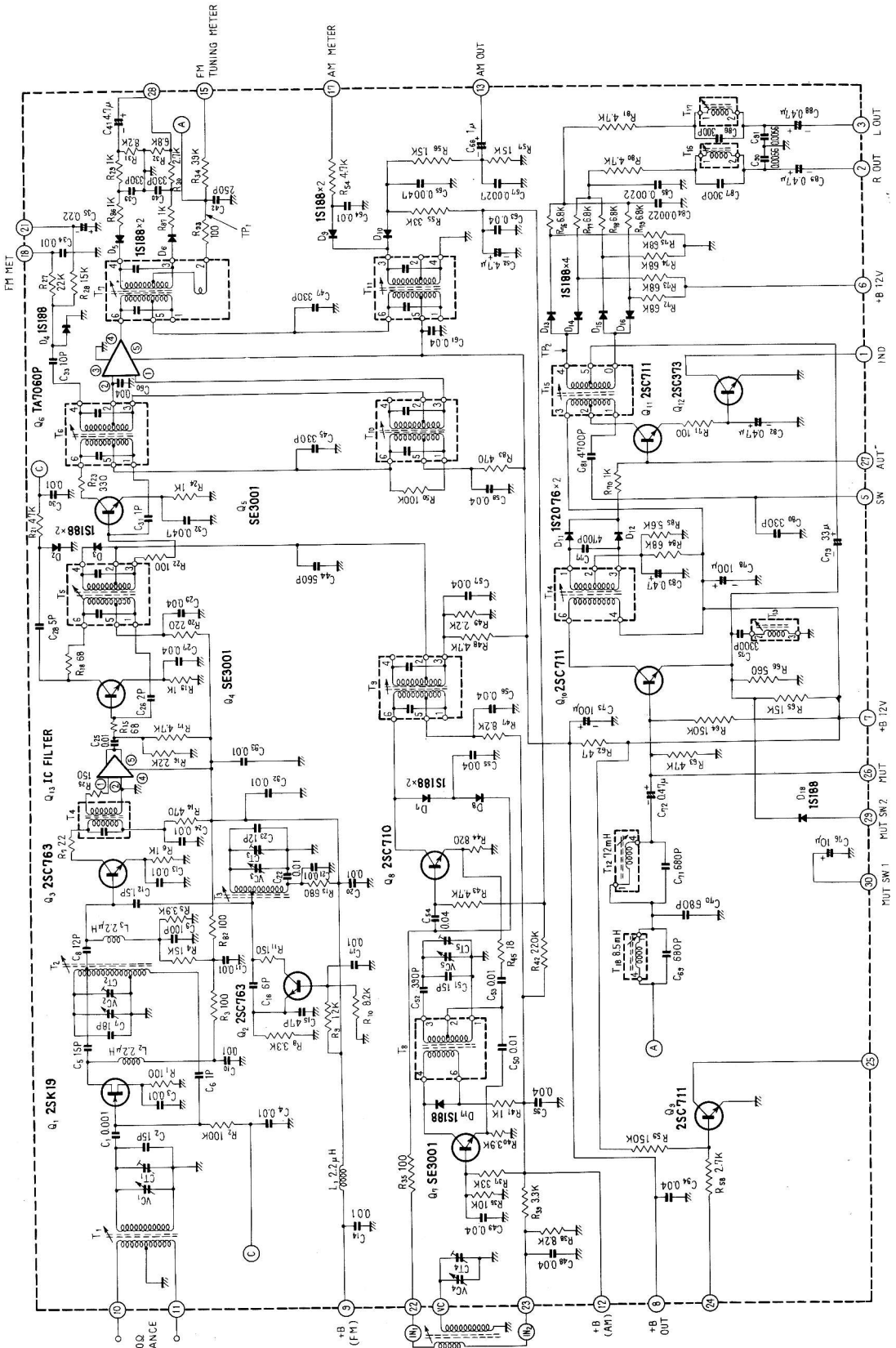
VR₁ VOLUME
 MIN ↔ MAX

TUNER UNIT

TUNER UNIT
AWE-003



TUNER UNIT for FSAW model



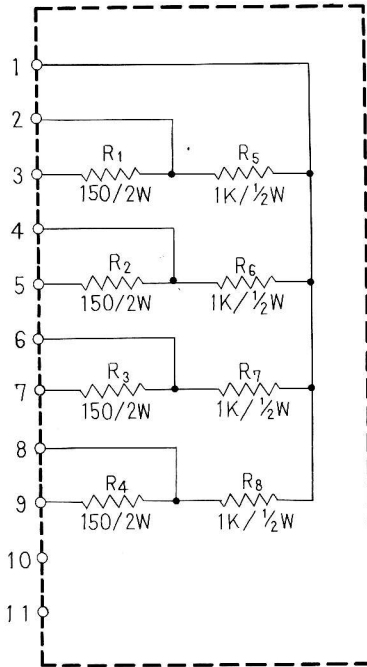
TUNER UNIT
AWE - 012

CR UNIT

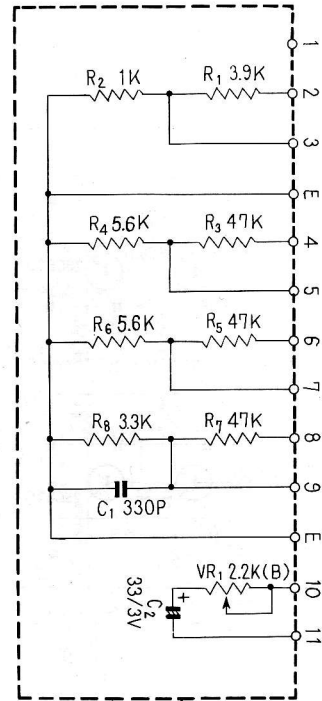
CR UNIT

CR UNIT

AWX-003



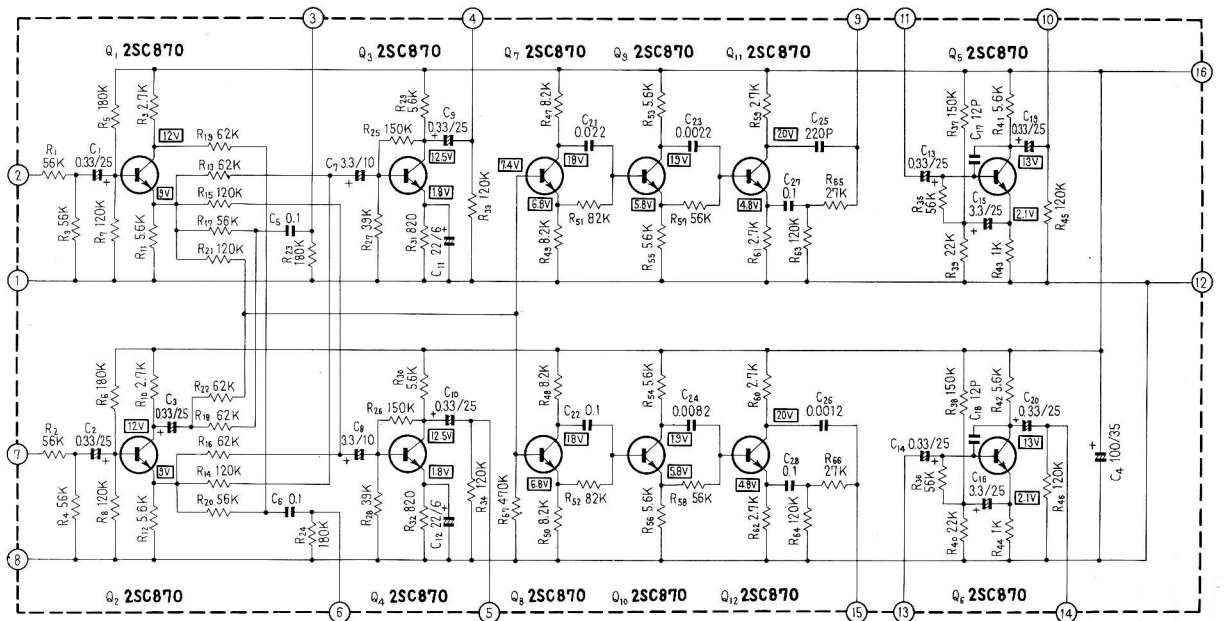
CR UNIT
AWX-004



Q UNIT

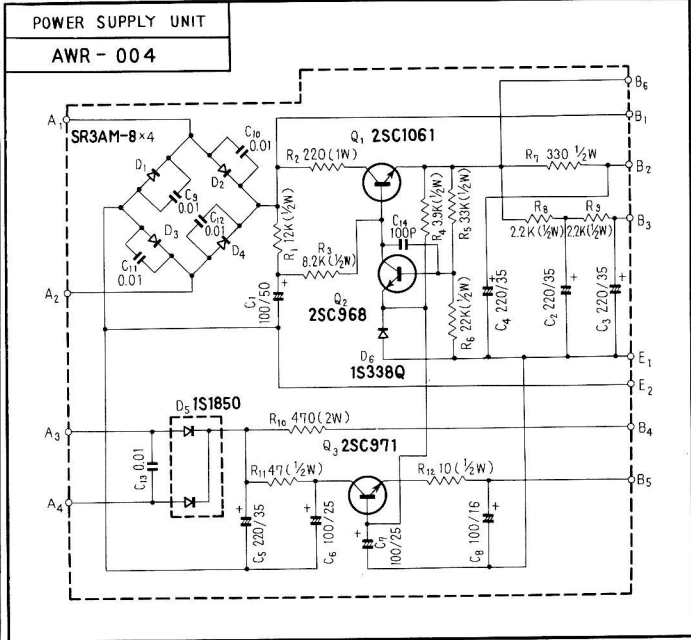
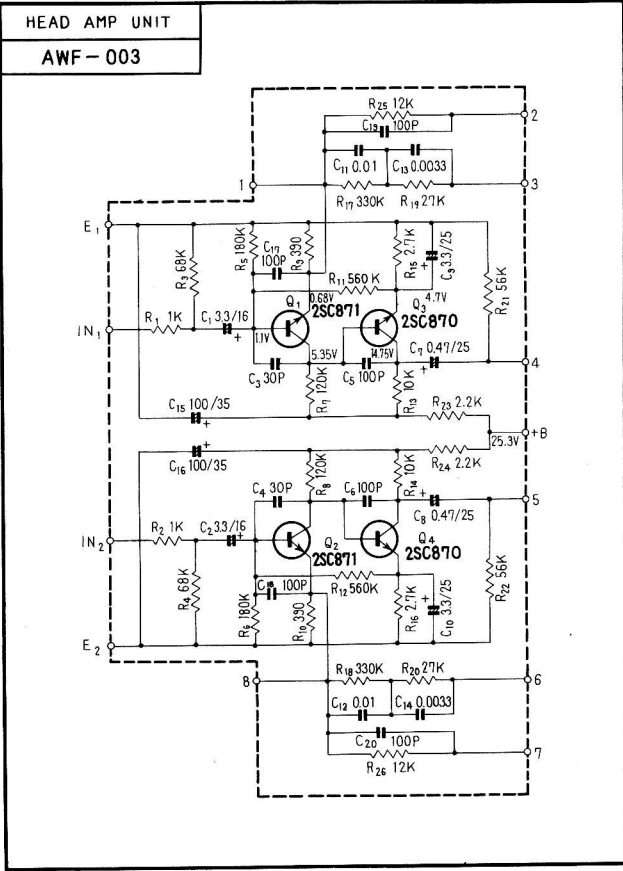
Q UNIT

AWM-001

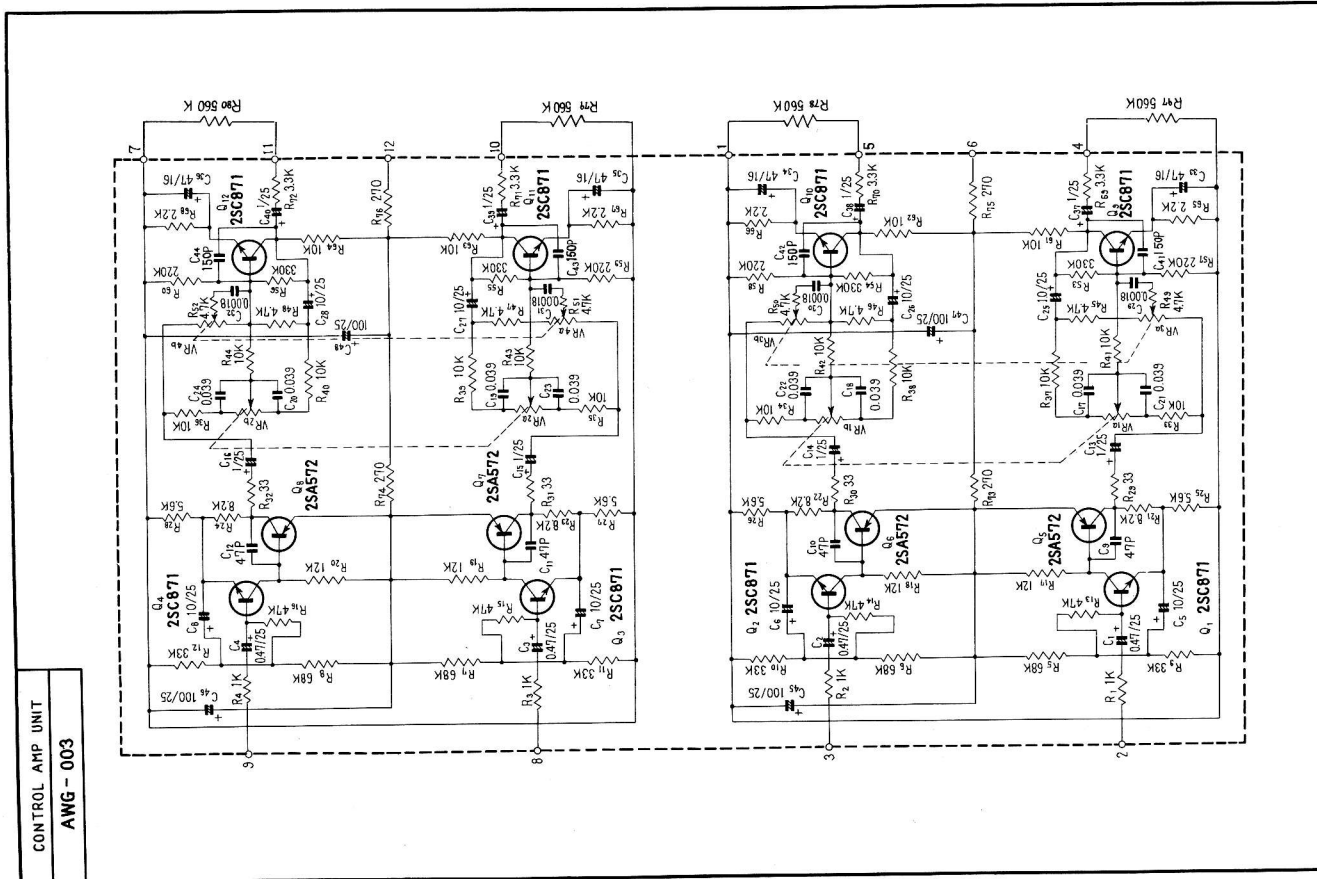


HEAD AMP UNIT

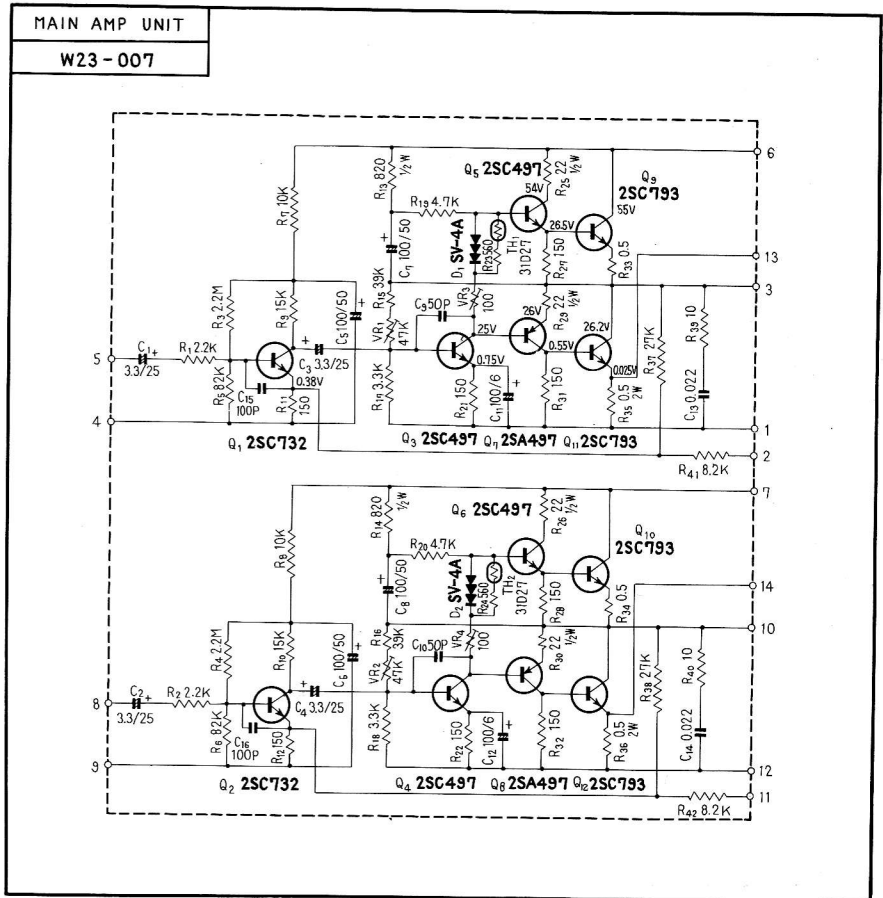
POWER SUPPLY UNIT



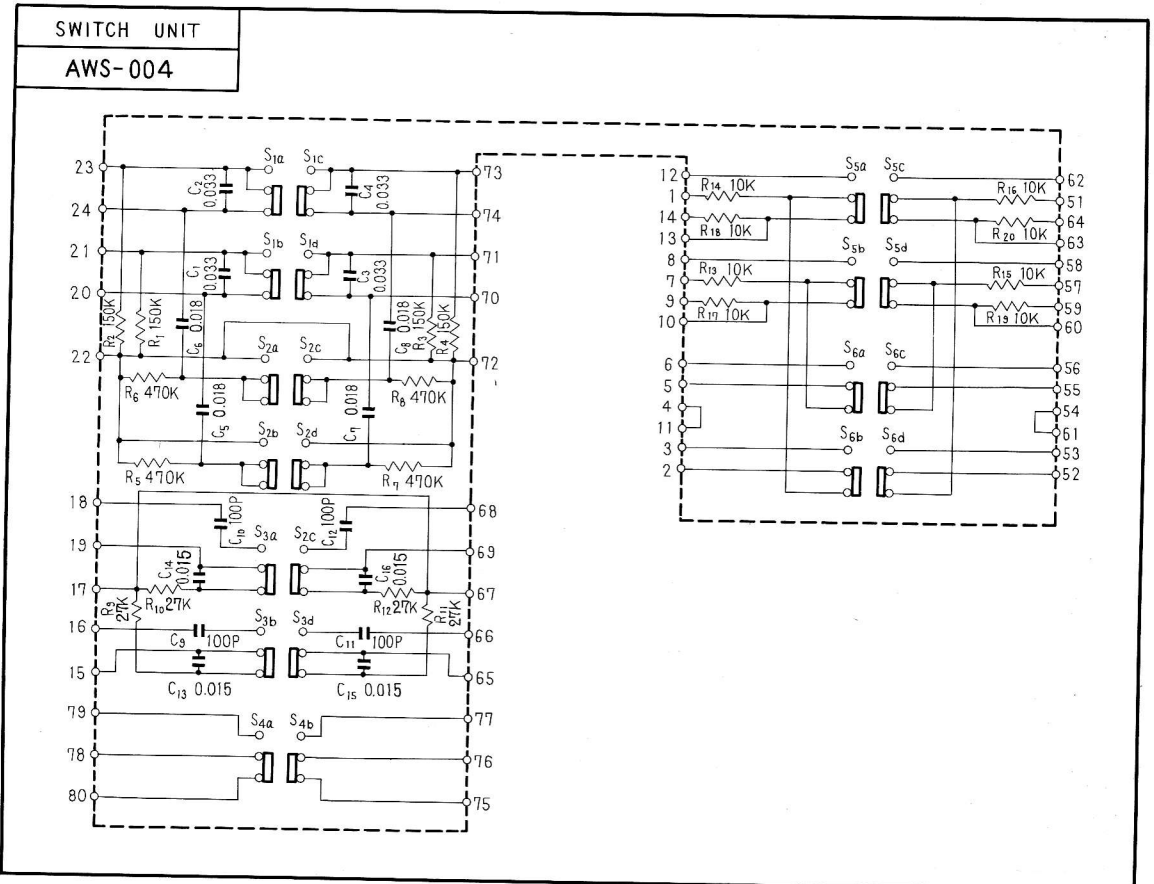
CONTROL AMP UNIT



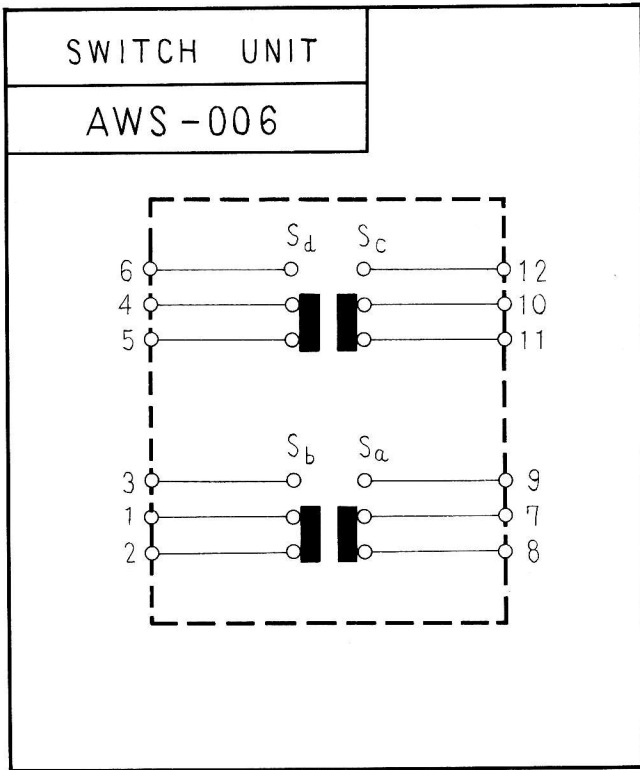
MAIN AMP UNIT



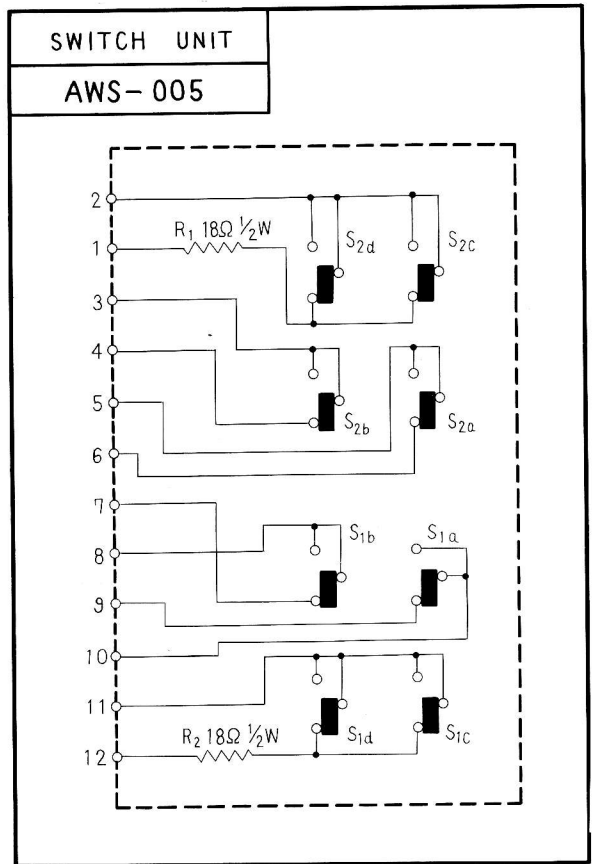
SWITCH UNIT



SWITCH UNIT



SWITCH UNIT



VR UNIT

